

**ELKAY**<sup>®</sup>

## INSTALLATION / OWNER'S MANUAL

Single Handle Bar Faucet

Model # LKAV4032

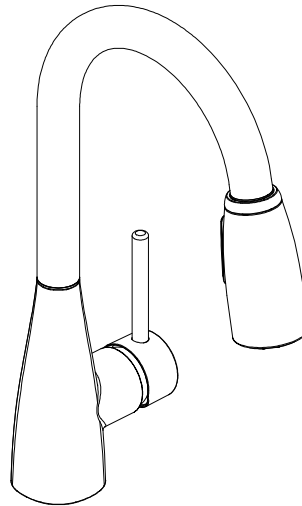
### Important!

#### You choose the flow rate!

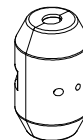
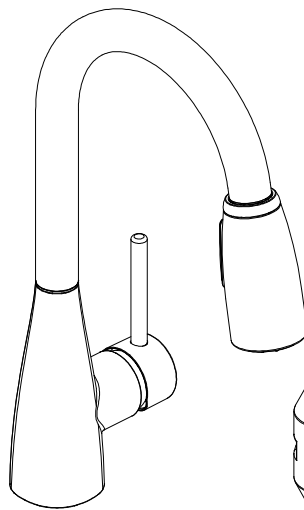
This faucet ships with an eco-friendly 1.5GPM flow regulator installed.

If you desire higher flow rate, a 2.2GPM flow regulator has also been included in the box.

Switching the flow regulator is simple! See the "Flow Regulator Replacement" section for details.



### INCLUDES:



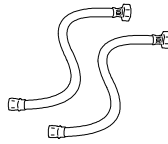
### RECOMMENDED TOOLS:



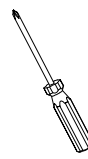
Groove joint pliers



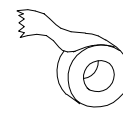
Wrench



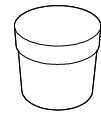
(2) 1/2 in Supply Lines



Screwdriver



Sealant Tape



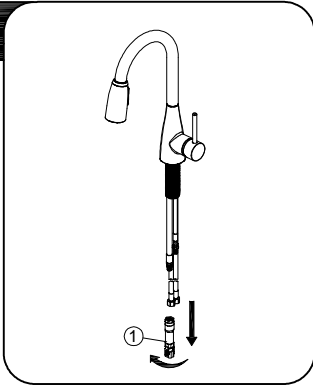
Plumber's Putty

**SAVE FOR CONSUMER**

**WARNING: Please carefully read and properly follow the instructions for installation found in this manual.**

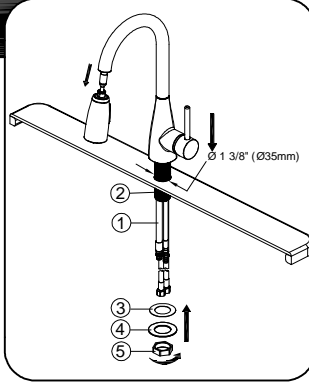
## STEPS:

1



Shut off water supplies. Before installation, remove quick connect assembly (1) from the free end of pull-down hose.

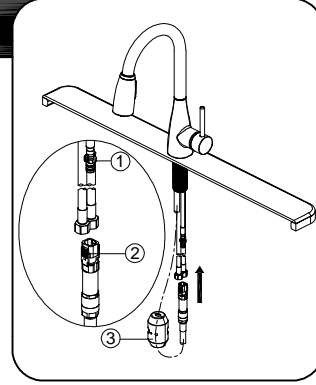
2



Retract pull-down hose (1) up through faucet body, until the pull-down hose fitting is flush with the bottom of shank (2). Do not pull hose fitting past the shank. Insert faucet body through the hole in sink. From underneath sink, install plastic washer (3), metal washer (4) and nut (5) onto the mounting shank. Do not overtighten.

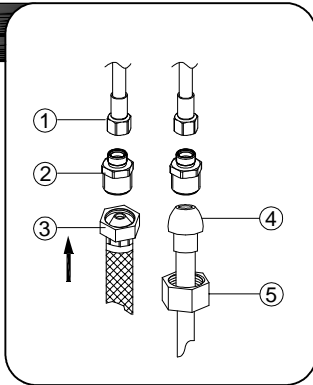
Note: Do not feed the pull-down hose (1) back down through the spout until step 3.

3



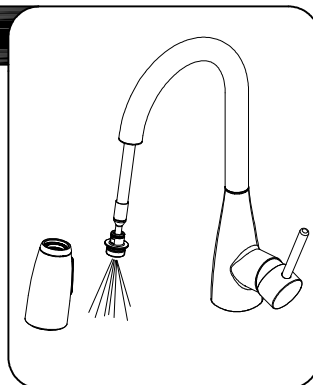
Screw quick connect assembly to the free end of pull-down hose. Align male fitting (1) and tabs (2) on quick connector. Push quick connector housing firmly upward and snap onto receiving male fitting. Pull down moderately to ensure connection has been made. After connecting the hose, attach weights (3) to hose at bottom of loop to prevent hose from twisting and return hose to proper position.

4



Make connections to water lines with 3/8" female compression supply hoses (1). If additional hose length is needed, attach included 1/2" MIP thread adaptors (2) to supply hoses (1). Use 1/2" I.P.S. faucet connections (3) or use coupling nuts (5) with 3/8" O.D. ball-nose riser (4) to make connections to water lines. Use wrenches to tighten connections. Do not overtighten.

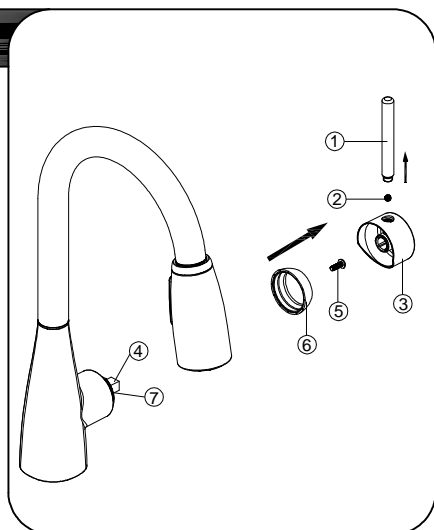
5



Important: after installation is completed, turn on hot and cold water supplies. Check for leaks. Pull the hose assembly out of the spout and remove the spray head by unscrewing it from the hose counterclockwise. Be sure to hold the end of the hose down into the sink and turn the faucet on to the warm position where it mixes hot and cold water. Flush water lines for one minute. Check for leaks. Re-tighten any connections if necessary, but do not overtighten. Reinstall spray head by hand tightening it back onto the spray hose.

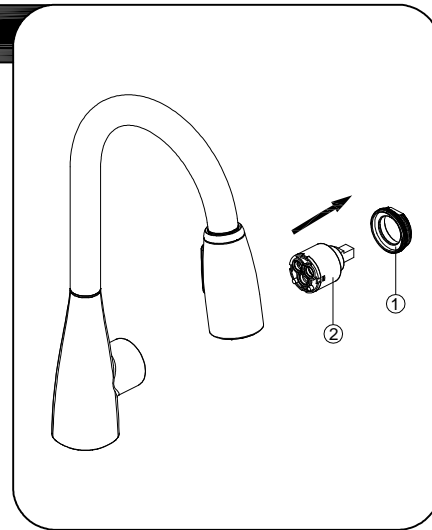
## CARTRIDGE REPLACEMENT

1



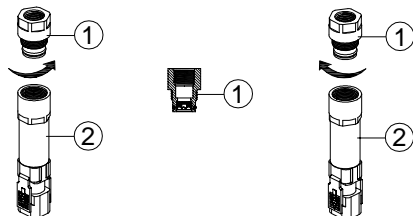
Shut off water supply. With valves in "closed" position, remove handle (1), loosen the set screw (2). Remove handle seat (3) from valve stem (4). Loosen the screw (5) from valve stem (4) and unscrew the cap (6) from the cartridge nut (7).

2



Loosen cartridge nut (1) by turning it counter-clockwise and lift out the cartridge (2). Insert new cartridge. Reinstall the handle.

## FLOW REGULATOR REPLACEMENT



This faucet ships with a 1.5 GPM flow restrictor installed. An optional 2.2 GPM flow restrictor is also included in the box.

To switch the flow rate of the faucet:

1. Disassemble the quick connect assembly by separating the connector (1) and quick connect (2).
2. Replace 1.5 GPM connector (green) with the 2.2 GPM connector.
3. Reinstall the quick connect assembly.

## CARE AND CLEANING INSTRUCTIONS

Congratulations on your purchase of an Elkay product. Although your product is extremely durable, attention should be given to the care, cleaning and maintenance of this product. Cleaning agents and abrasives may cause damage, which may result in oxidation and discoloration.

By following these simple guidelines for proper care and cleaning, it will give you years of enjoyment:

**TO CLEAN:** Simply wipe gently with a damp cloth and blot dry with a soft towel. A common rule of thumb is: when you dry off, dry off your product.

- Avoid build-up of soap, toothpaste or mineral deposits, as these tend to have an adverse effect on the appearance of the product.
- NEVER use cleaning products of any kind on this product - especially those containing ammonia, bleach or alcohol - or those with any form of abrasive.

**FOR CARE AND MAINTENANCE:**

- The water in certain areas of the world can be very caustic - standing water around the product can cause damage. Be sure to remove standing water with a dry, soft cloth as soon as possible.
- For polished brass finishes, as often as once a week, you can apply a paste wax or special, non-abrasive, brass coating (DO NOT APPLY POLISH).
- Before applying a protective coating, gently brush the entire fixture using a soft tooth brush. This will remove any dirt or deposit build-up.
- These simple steps will add temporary protective coating to your faucet and extend the life of the finish.

Failure to follow care and cleaning will void your warranty. For additional information, please visit [elkayusa.com](http://elkayusa.com).

# WARRANTY

## ELKAY LIMITED LIFETIME WARRANTY

### ELKAY LIMITED LIFETIME WARRANTY

Elkay warrants that all parts and finishes of the Elkay Residential brand faucets are free from defects in materials and workmanship for the life of the product, if purchased after 1996. This warranty covers the original consumer purchaser of the product only.

If the product should leak or drip during normal use, Elkay will provide, free of charge, a replacement cartridge. For other defects in material or workmanship, Elkay will, at its option, supply replacement parts (or if no longer available a comparable product). Elkay reserves the right to examine product in question and its installation prior to replacement.

#### What is not covered:

1. Damage caused by accident, negligence, misuse, abuse, improper installation or operation or failure to follow care or installation instructions enclosed with your product.
2. Damage occurring during shipment of the product (claims must be presented to the carrier).
3. Normal wear and tear.
4. Labor charges, costs of removal and reinstallation, and any damages to other property.
5. All industrial, commercial and business use whose purchasers are hereby extended a limited lifetime on mechanical parts and 5 years on finish.

#### What you must do to obtain warranty service:

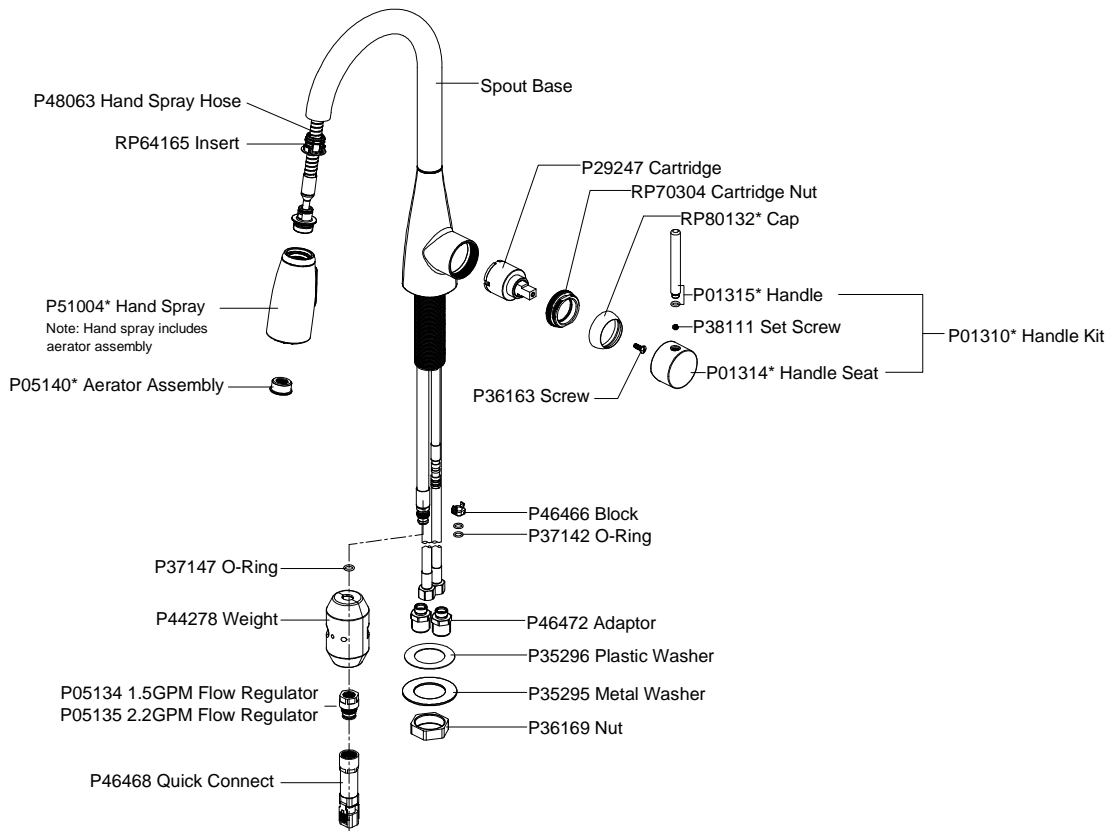
Either write to Elkay, attention Customer Care, 2222 Camden Court, Oak Brook, IL 60523 or call 1-800-223-5529. Please provide date of purchase and installation, description of nature of the defect, and model number or description of model and/or component part.

THIS LIMITED WARRANTY IS EXPRESSLY IN LIEU OF ANY OTHER WARRANTIES, EXPRESSED IMPLIED, ARISING BY LAW OR OTHERWISE, INCLUDING WITHOUT LIMITATION, ANY IMPLIED WARRANTY OF MERCHANTABILITY OR FITNESS FOR A PARTICULAR PURPOSE. THIS LIMITED WARRANTY MAY NOT BE ALTERED, VARIED, OR EXTENDED, EXCEPT BY A WRITTEN INSTRUMENT EXECUTED BY ELKAY. THE REMEDY OF REPAIR OR REPLACEMENT AS PROVIDED UNDER THIS LIMITED WARRANTY IS EXCLUSIVE. IN NO EVENT SHALL THE MANUFACTURER BE LIABLE FOR ANY CONSEQUENTIAL OR INCIDENTAL DAMAGES TO ANY PERSON, WHETHER OR NOT OCCASIONED BY NEGLIGENCE OF ELKAY, INCLUDING WITHOUT LIMITATION DAMAGES FOR LOSS OF USE, COSTS PROPERTY DAMAGE OR OTHER MONETARY LOSS.

Some states do not allow the exclusion or limitation of incidental or consequential damages or limitations on how long an implied warranty lasts, so the above limitations or exclusions may not apply. This warranty gives you specific legal rights and you may also have other rights which vary from state to state.

This warranty covers product installed in the United States and Canada.

## REPLACEMENT PARTS



Elkay

elkayusa.com

©2011 Elkay  
Model # LKAV4032  
P99355 (Rev. date: 04/2011)