

PRODUCT SPECIFICATIONS

Drain Fitting Type 304 Stainless Steel Body Grid Strainer and Brass Tailpiece. Overall dimensions are 2-7/8" x 2-7/8" x 5-9/16". Made of Stainless Steel Body, Brass Tailpiece.

Material:	Stainless Steel Body, Brass Tailpiece
Finish:	Polished Stainless Steel
Dimensions:	2-7/8" x 2-7/8" x 5-9/16"
Shipping Weight:	1 lbs.

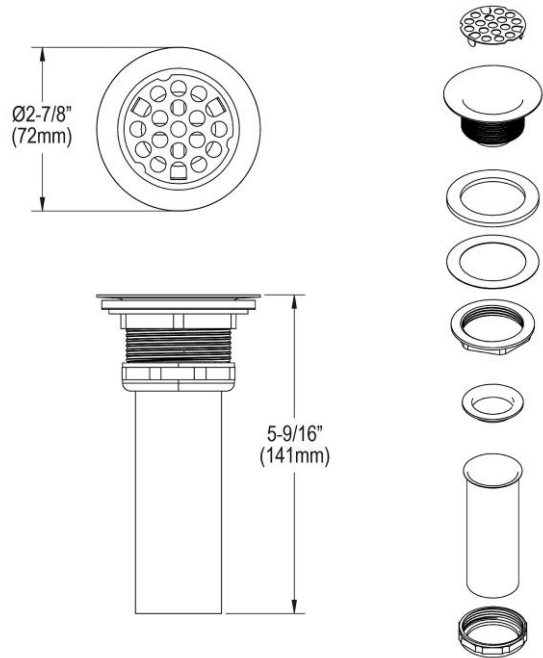
- 1-1/2" O.D. x 4" nickel-plated brass tailpiece.



A Century of Tradition and Quality.
For more than 100 years, Elkay has been making innovative products and providing exceptional customer care. We take pride in offering plumbing products that make life easier, inspire change and leave the world a better place.

Product Compliance: ASME A112.18.2/CSA B125.2

[Clean and Care Manual \(PDF\)](#)
[Installation Instructions \(PDF\) - 100005235](#)



PART: _____ QTY: _____
 PROJECT: _____
 CONTACT: _____
 DATE: _____
 NOTES: _____
 APPROVAL: _____

In keeping with our policy of continuing product improvement, Elkay reserves the right to change product specifications without notice. Please visit elkay.com for the most current version of Elkay product specification sheets. This specification describes an Elkay product with design, quality, and functional benefits to the user. When making a comparison of other producers' offerings, be certain these features are not overlooked.