

PRODUCT SPECIFICATIONS

Elkay Everyday Kitchen Deck Mount Faucet with Remote Lever Handle and Side Spray Chrome. Faucet has a flow rate of 1.5 GPM, and is made of Brass material, with a Ceramic Disc valve. Faucet requires 3 faucet holes.

| | |
|--------------------------------|---------------------------------------|
| Mounting Type: | Deck Mount |
| Special Features: | Low Flow |
| Spray Type: | Side |
| Finish: | Chrome (CR) |
| Handle Type: | Remote Lever Handle |
| Deck Clearance: | 10-3/8" |
| Spout Reach: | 8" |
| Spout Height: | 11-1/2" |
| Hole Drillings: | 3 |
| Material: | Brass |
| Valve Type: | Ceramic Disc |
| Valve Connection: | 3/8" Female Compression Hose Assembly |
| Flow Rate: | 1.5 GPM |
| Faucet Hole Size (min): | 1-3/8" |
| Countertop Thickness: | 2-1/2" |
| Spout Swing Rotation: | 360° |
| Spout Type: | Standard Spout |

Special Note: 1.5 GPM flow regulator installed (2.2 GPM flow regulator also included with faucet)



Chrome (CR)



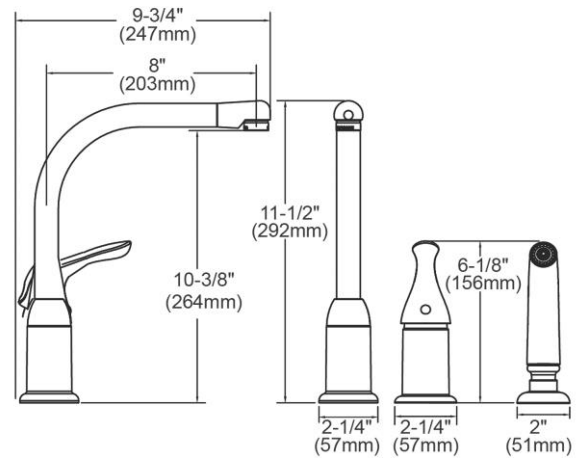
AMERICAN PRIDE. A LIFETIME TRADITION.
Like your family, the Elkay family has values and traditions that endure. For almost a century, Elkay has been a family-owned and operated company, providing thousands of jobs that support our families and communities.

Product Compliance: ADA & ICC A117.1
ASME A112.18.1/CSA B125.1
NSF 61
NSF 372 (lead free)



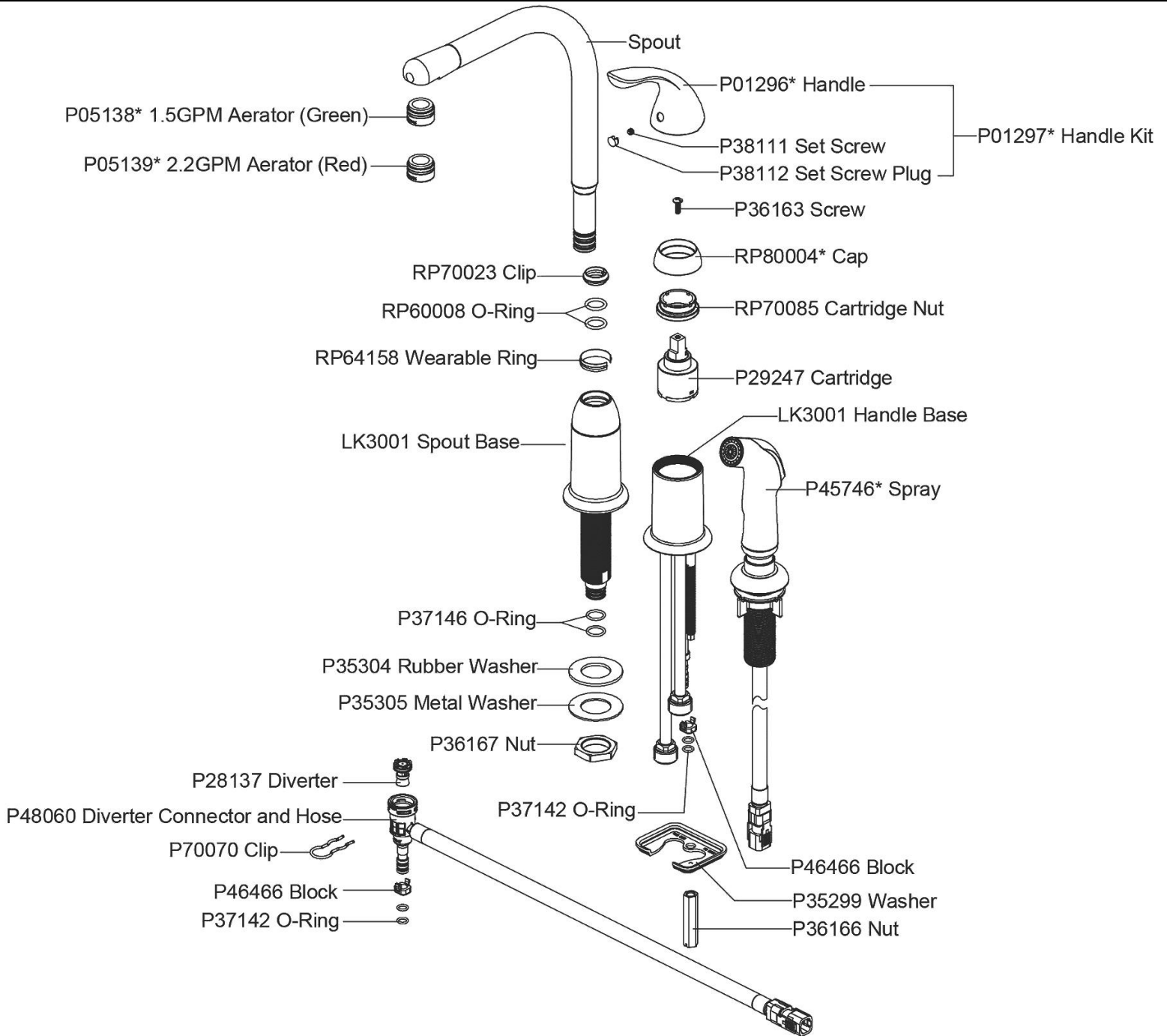
Complies with ADA & ICC A117.1 accessibility requirements when installed according to the requirements outlined in these standards.

[Clean and Care Manual \(PDF\)](#)
[Installation Instructions \(PDF\)](#)
[Limited Lifetime Warranty \(PDF\)](#)



PART: _____ QTY: _____
PROJECT: _____
CONTACT: _____
DATE: _____
NOTES: _____
APPROVAL: _____

In keeping with our policy of continuing product improvement, Elkay reserves the right to change product specifications without notice. Please visit elkay.com for the most current version of Elkay product specification sheets. This specification describes an Elkay product with design, quality, and functional benefits to the user. When making a comparison of other producers' offerings, be certain these features are not overlooked.



In keeping with our policy of continuing product improvement, Elkay reserves the right to change product specifications without notice. Please visit elkay.com for the most current version of Elkay product specification sheets. This specification describes an Elkay product with design, quality, and functional benefits to the user. When making a comparison of other producers' offerings, be certain these features are not overlooked.