

PRODUCT SPECIFICATIONS

Elkay Quartz Classic® 25" x 22" x 11-13/16", Drop-in Laundry Sink with Perfect Drain. Sink is molded with up to 80% natural quartz and high performance acrylic resins that are non-porous providing superior heat, scratch, fade and stain resistance. Naturally sound deadening and Rear Center drain placement.



Installation Type:	Drop-in
Material:	Quartz
Special Features:	Perfect Drain
Finish:	Bisque (BQ), Black (BK), Dusk Gray (GY), Greige (GR), Greystone (GS), Mocha (MC), Putty (PT), White (WH)
Number of Bowls:	1
Sink Dimensions:	25" x 22" x 13-3/16"
Bowl 1 Dimensions:	22-5/16" x 16-7/16" x 11-13/16"
Drain Size:	3-5/8" (92mm)
Drain Location:	Rear Center
Minimum Cabinet Size:	30"
Mounting Hardware:	Part # 0000000221 included for countertops up to 1-3/4" (44mm) thick
Template Included:	No
Cutout Template #:	0000001438

Included with Product: One LKPDQ1CR Perfect Drain and strainer.

AMERICAN PRIDE. A LIFETIME TRADITION.
Like your family, the Elkay family has values and traditions that endure. For almost a century, Elkay has been a family-owned and operated company, providing thousands of jobs that support our families and communities.

Product Compliance: CSA B45.5/IAPMO Z124
Accessory: ASME A112.18.2/CSA B125.2



Sinks are listed by IAPMO® as meeting the applicable requirements of the Uniform Plumbing Code®, International Plumbing Code®, and National Plumbing Code of Canada.

[Clean and Care Manual \(PDF\)](#)

[Installation Instructions \(PDF\) - 1000005238](#)

[Installation Instructions \(PDF\) - 1000003889_perfect-drain](#)

[Warranty \(PDF\)](#)

Similar models are available with: ADA Depths

Template is available for download at [elkay.com](#). CAD software will be required to open the template.

Cutout Dimensions for Drop-in Installation:

24-3/8" x 21-3/8" (619mm x 543mm) with 10/16" (16mm) corner radius

Perfect Drain: Seamlessly molded collar eliminates the gap between a traditional drain and the sink for a sanitary and gap free installation. An InSinkErator® garbage disposer can be installed on either sink bowl for user convenience. **Patent Pending**



PART: _____ QTY: _____

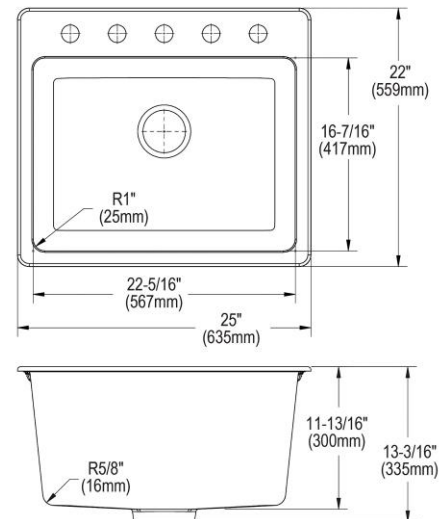
PROJECT: _____

CONTACT: _____

DATE: _____

NOTES: _____

APPROVAL: _____



In keeping with our policy of continuing product improvement, Elkay reserves the right to change product specifications without notice. Please visit [elkay.com](#) for the most current version of Elkay product specification sheets. This specification describes an Elkay product with design, quality, and functional benefits to the user. When making a comparison of other producers' offerings, be certain these features are not overlooked.

in sink erator

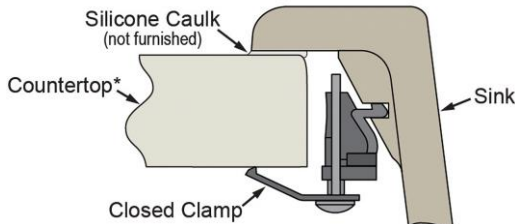
Elkay[®] Perfect Drain[™] sinks are designed and approved for compatible disposers manufactured by InSinkErator[®] utilizing the Quick Lock[®] mounting configuration. Use of non-approved disposers may void Elkay warranty.

InSinkErator, Quick Lock and the mounting collar configuration are trademarks of Emerson Electric Co.



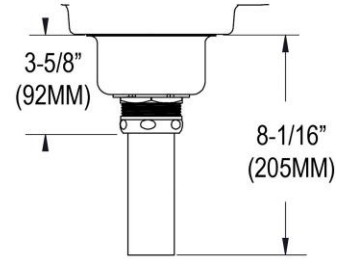
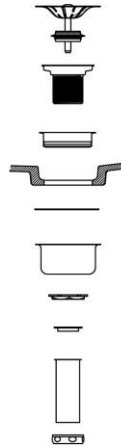
Installation Profile:

DROP-IN - BLACK/GRAY SLOT CLIP



OPTIONAL ACCESSORIES

Cutting Board:	LKCBEG2217HW
Drain:	LKPDQ1LS
Faucet:	LK2500CR
Soap Dispenser:	LKGT1054



Sink with Drain Kit Installed

In keeping with our policy of continuing product improvement, Elkay reserves the right to change product specifications without notice. Please visit elkay.com for the most current version of Elkay product specification sheets. This specification describes an Elkay product with design, quality, and functional benefits to the user. When making a comparison of other producers' offerings, be certain these features are not overlooked.