

**PRODUCT SPECIFICATIONS**

Elkay Stainless Steel 16-3/4" x 15-1/2" x 13", Single Bowl Wall Hung Handwash Sink Kit. Sink is manufactured from 304 Stainless Steel with a Buffed Satin finish, Center drain placement.

<b>Material:</b>	304 Stainless Steel
<b>Finish:</b>	Buffed Satin
<b>Number of Bowls:</b>	1
<b>Sink Dimensions:</b>	16-3/4" x 15-1/2" x 13"
<b>Bowl 1 Dimensions:</b>	12" x 9-1/4" x 6"
<b>Drain Size:</b>	2" (51mm)
<b>Drain Location:</b>	Center

**Special Note:** Sink includes side splashes.



**Included with Product:** CHS1716LRS2 sink,  
one LK940GN04L2H faucet,  
one LK8 drain fitting,  
and one LK500 P-trap

▼ **Ships in multiple boxes.**

**AMERICAN PRIDE. A LIFETIME TRADITION.**  
Like your family, the Elkay family has values and traditions that endure. For almost a century, Elkay has been a family-owned and operated company, providing thousands of jobs that support our families and communities.



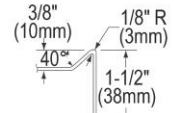
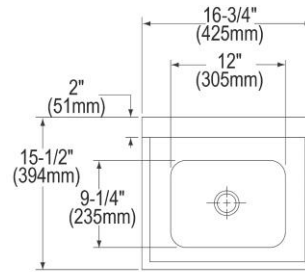
**Product Compliance:** ASME A112.19.3/CSA B45.4  
Buy American Act  
NSF 2  
Faucet: ASME A112.18.1/CSA B125.1  
CEC  
NSF 61  
NSF 372 (lead free)  
Accessory: ASME A112.18.2/CSA B125.2



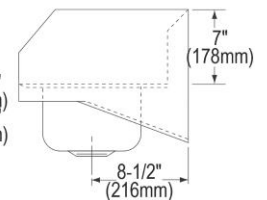
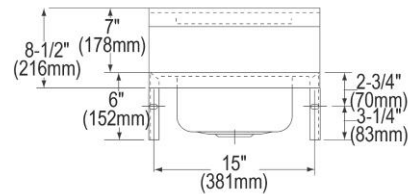
[Clean and Care Manual \(PDF\)](#)  
[Installation Instructions \(PDF\) - 74180184](#)  
[Installation Instructions \(PDF\) - A55483](#)  
[Installation Instructions \(PDF\) - 1000005235 drain](#)  
[Warranty \(PDF\)](#)

PART: \_\_\_\_\_ QTY: \_\_\_\_\_  
PROJECT: \_\_\_\_\_  
CONTACT: \_\_\_\_\_  
DATE: \_\_\_\_\_  
NOTES: \_\_\_\_\_  
APPROVAL: \_\_\_\_\_

*In keeping with our policy of continuing product improvement, Elkay reserves the right to change product specifications without notice. Please visit [elkay.com](http://elkay.com) for the most current version of Elkay product specification sheets. This specification describes an Elkay product with design, quality, and functional benefits to the user. When making a comparison of other producers' offerings, be certain these features are not overlooked.*

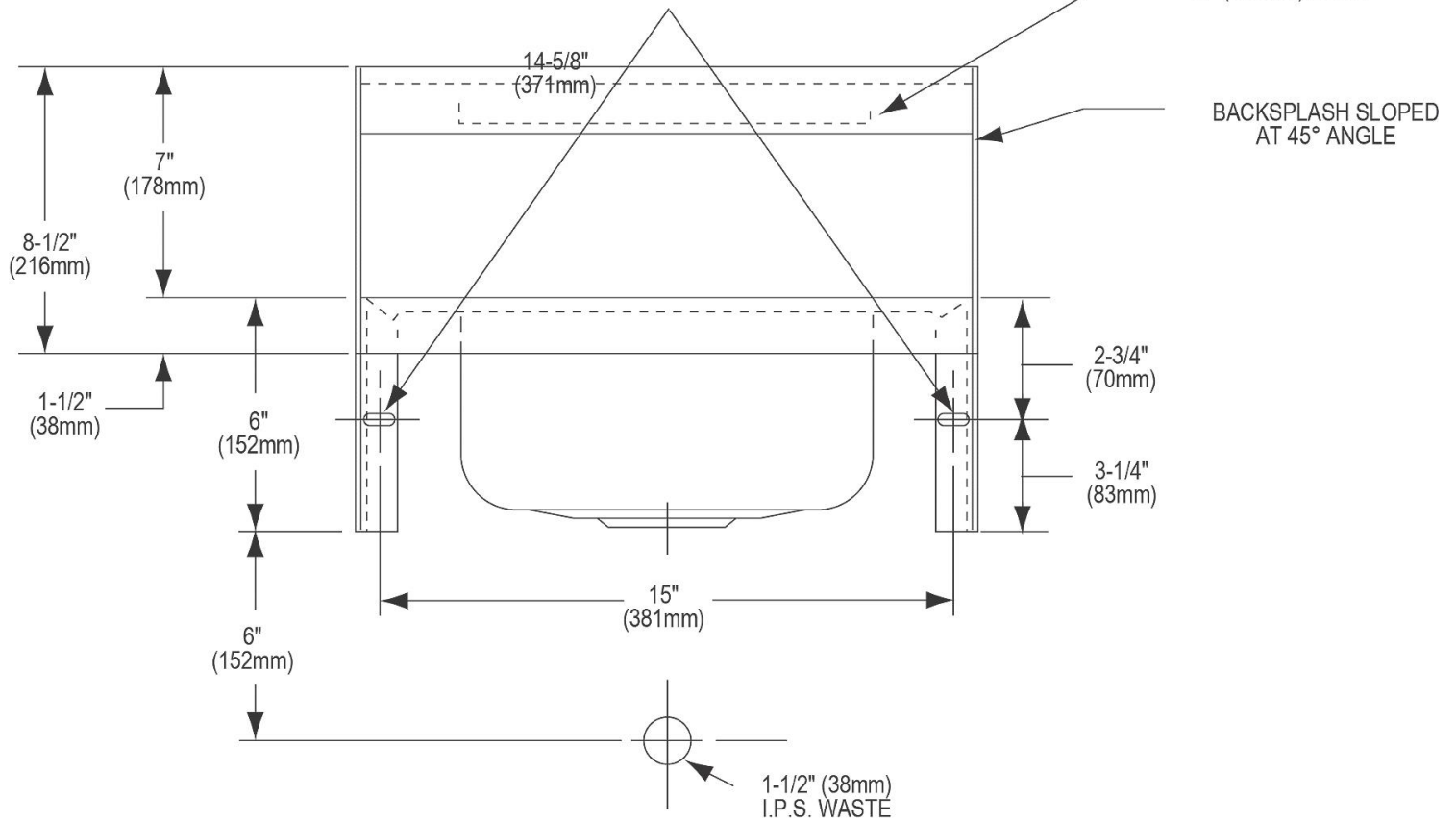


SECTION THROUGH RIM



WALL HANGER  
12" (305mm) LONG

3/8" (10mm) X 3/4" (19mm)  
LONG SLOT



BACKSPLASH SLOPED  
AT 45° ANGLE

1-1/2" (38mm)  
I.P.S. WASTE

*In keeping with our policy of continuing product improvement, Elkay reserves the right to change product specifications without notice. Please visit [elkay.com](http://elkay.com) for the most current version of Elkay product specification sheets. This specification describes an Elkay product with design, quality, and functional benefits to the user. When making a comparison of other producers' offerings, be certain these features are not overlooked.*